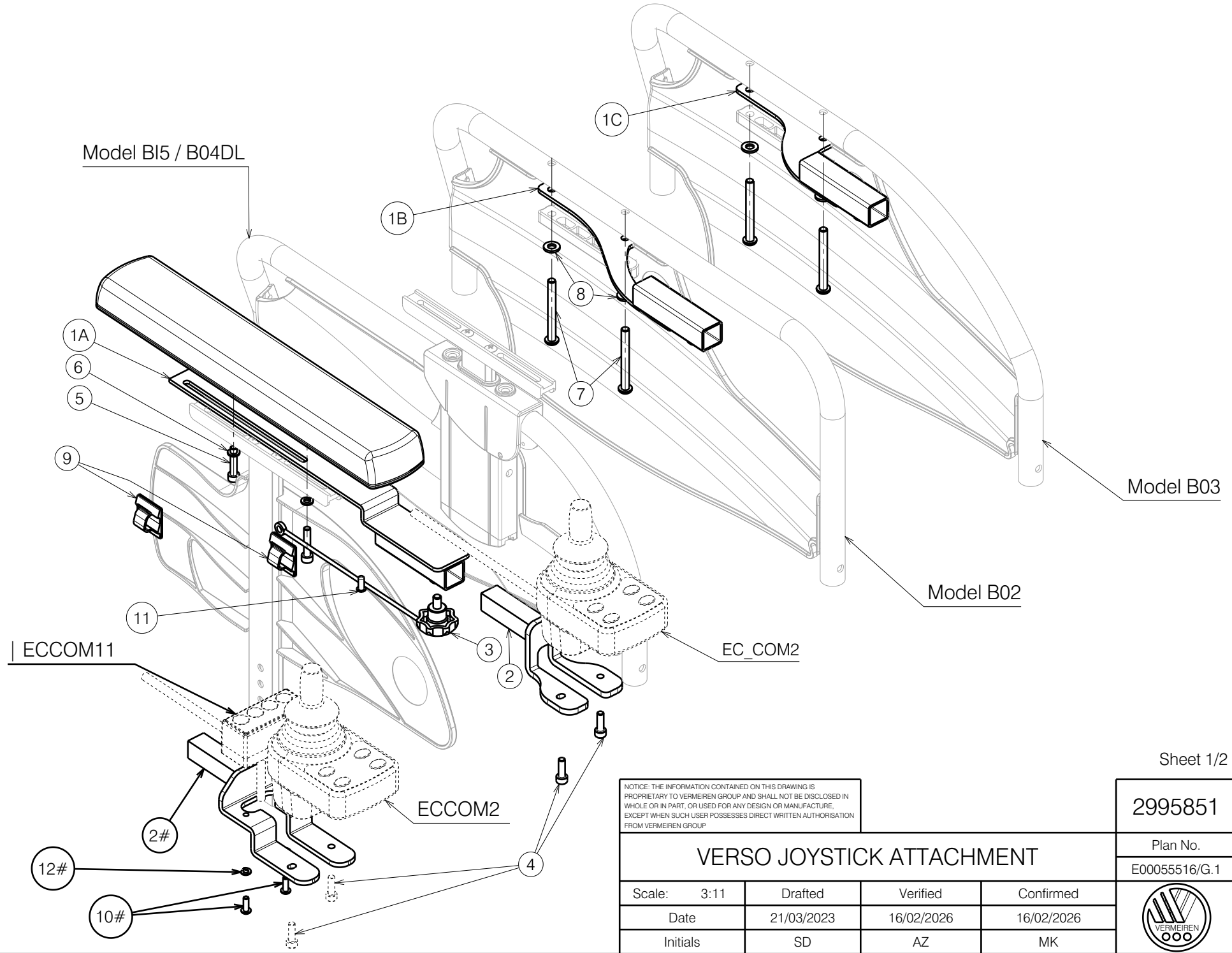


Model B15 / B04DL



Model B03

Model B02

ECCOM11

EC_COM2

ECCOM2

Sheet 1/2

NOTICE: THE INFORMATION CONTAINED ON THIS DRAWING IS PROPRIETARY TO VERMEIREN GROUP AND SHALL NOT BE DISCLOSED IN WHOLE OR IN PART, OR USED FOR ANY DESIGN OR MANUFACTURE, EXCEPT WHEN SUCH USER POSSESSES DIRECT WRITTEN AUTHORISATION FROM VERMEIREN GROUP.

2995851

Plan No.
E00055516/G.1

VERSO JOYSTICK ATTACHMENT			
Scale: 3:11	Drafted	Verified	Confirmed
Date	21/03/2023	16/02/2026	16/02/2026
Initials	SD	AZ	MK



Bill of Material			
No.	Plan	Article	Quantity
1A	P00041366	2085254	1
1B	P00052568	2086154 (L)	1
	P00052565	2085954 (R)	1
1C	P00053065	2086054 (L)	1
	P00041364	2085354 (R)	1
2	P00052550	2085754	1
2#	P00121004	2922454	1
3	Star knob M6	2999405	1
4	M5x16 DIN912	1915415	2
5*	M5x25 DIN912	2994906	2
6*	M5 DIN127	2995288	2
7**	M6x55 ISO7380	2994376	2
8**	M6 DIN125	2994373	2
9	---	1919578	2
10#	M4x12 ISO7380 (Black)	2994126	2
11	Rivet	1900752	1
12#	DIN127 M4	1998515	2

Electrical components are presented in 2998597 / # 2998566 |

1A Model BI5 / B04DL

1B Model B02

1C Model B03

* for BI5

** for B02 / B03

- use with SE19 as standard |

Sheet 2/2

NOTICE: THE INFORMATION CONTAINED ON THIS DRAWING IS PROPRIETARY TO VERMEIREN GROUP AND SHALL NOT BE DISCLOSED IN WHOLE OR IN PART, OR USED FOR ANY DESIGN OR MANUFACTURE, EXCEPT WHEN SUCH USER POSSESSES DIRECT WRITTEN AUTHORISATION FROM VERMEIREN GROUP.

2995851

VERSO JOYSTICK ATTACHMENT

Plan No.

E00055516/G.1

Scale:	3:10	Drafted	Verified	Confirmed
Date	21/03/2023	16/02/2026	16/02/2026	
Initials	SD	AZ	MK	

