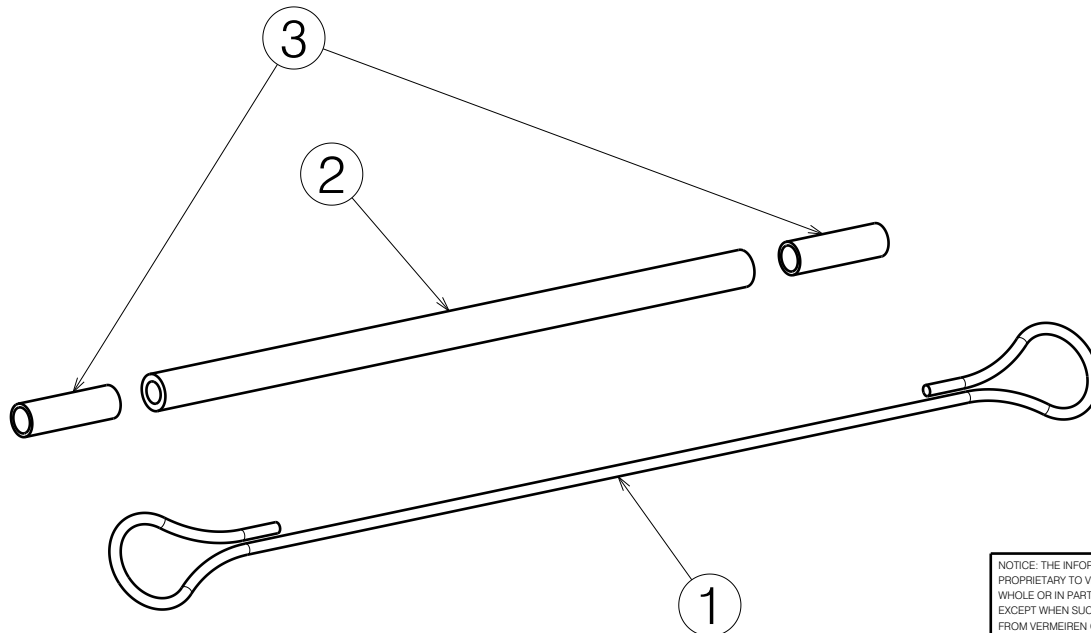
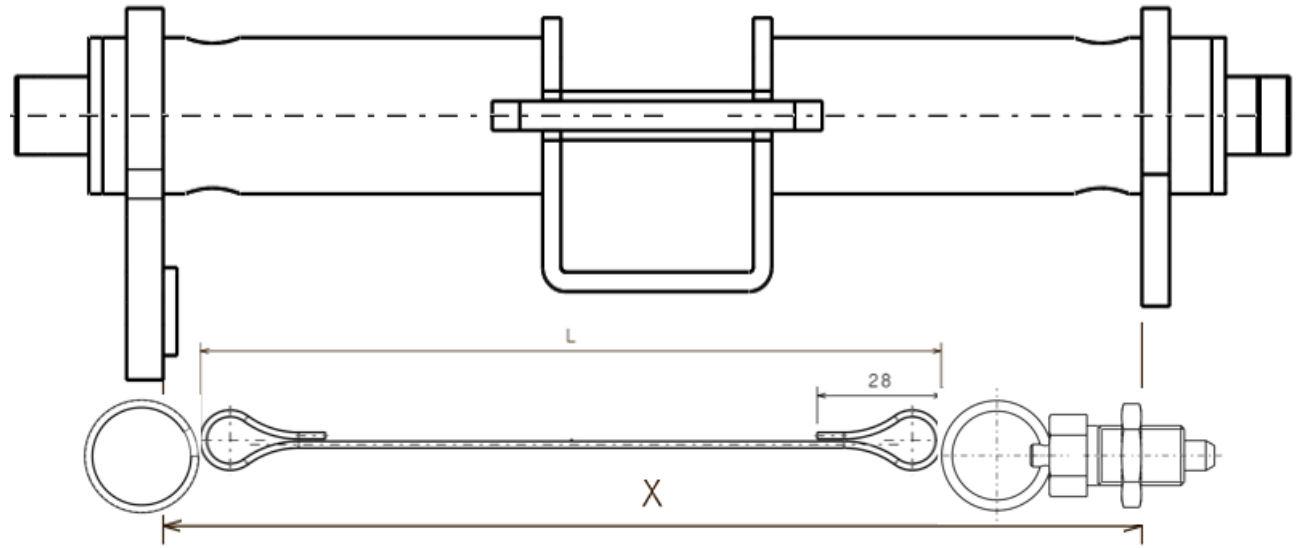


No.	Plan	Article	Qty
1	X003646	1999963	1
2	P00121830	2993049	1
3	2991192	2991192	2



Article	FRAME SIZE	X	X-50 [L]	Metal line length	plastic cover length
29056	38	214	164	264	98
29083	39 V500	243	193	293	127
29057	40	234	184	284	118
29058	42	254	204	304	138
29059	44	274	224	324	158
29060	46	294	244	344	178
29061	48	314	264	364	198
29062	50	334	284	384	218
29084	50 V500	353	303	403	237

NOTICE: THE INFORMATION CONTAINED ON THIS DRAWING IS PROPRIETARY TO VERMEIREN GROUP AND SHALL NOT BE DISCLOSED IN WHOLE OR IN PART, OR USED FOR ANY DESIGN OR MANUFACTURE, EXCEPT WHEN SUCH USER POSSESSES DIRECT WRITTEN AUTHORISATION FROM VERMEIREN GROUP.

BAR UNLOCK LINE COMPLETE BLUMIL SPORT GO

Scale: 1:1	Drafted	Verified	Confirmed
Date	06.02.2026	06.02.2026	06.02.2026
Initials	KK	PM	MK

GP00364

Plan No.
E00121829/A.1

