

EC_COM11

LIGHTS CONTROLLER ON RIGHT SIDE

Works with BI5 armrest

EC_L2

EC_L4

EC_L1

EC_L3

NOTICE: THE INFORMATION CONTAINED ON THIS DRAWING IS PROPRIETARY TO VERMEIREN GROUP AND SHALL NOT BE DISCLOSED IN WHOLE OR IN PART, OR USED FOR ANY DESIGN OR MANUFACTURE, EXCEPT WHEN SUCH USER POSSESSES DIRECT WRITTEN AUTHORISATION FROM VERMEIREN GROUP.

Sheet 1/3

Plan No.

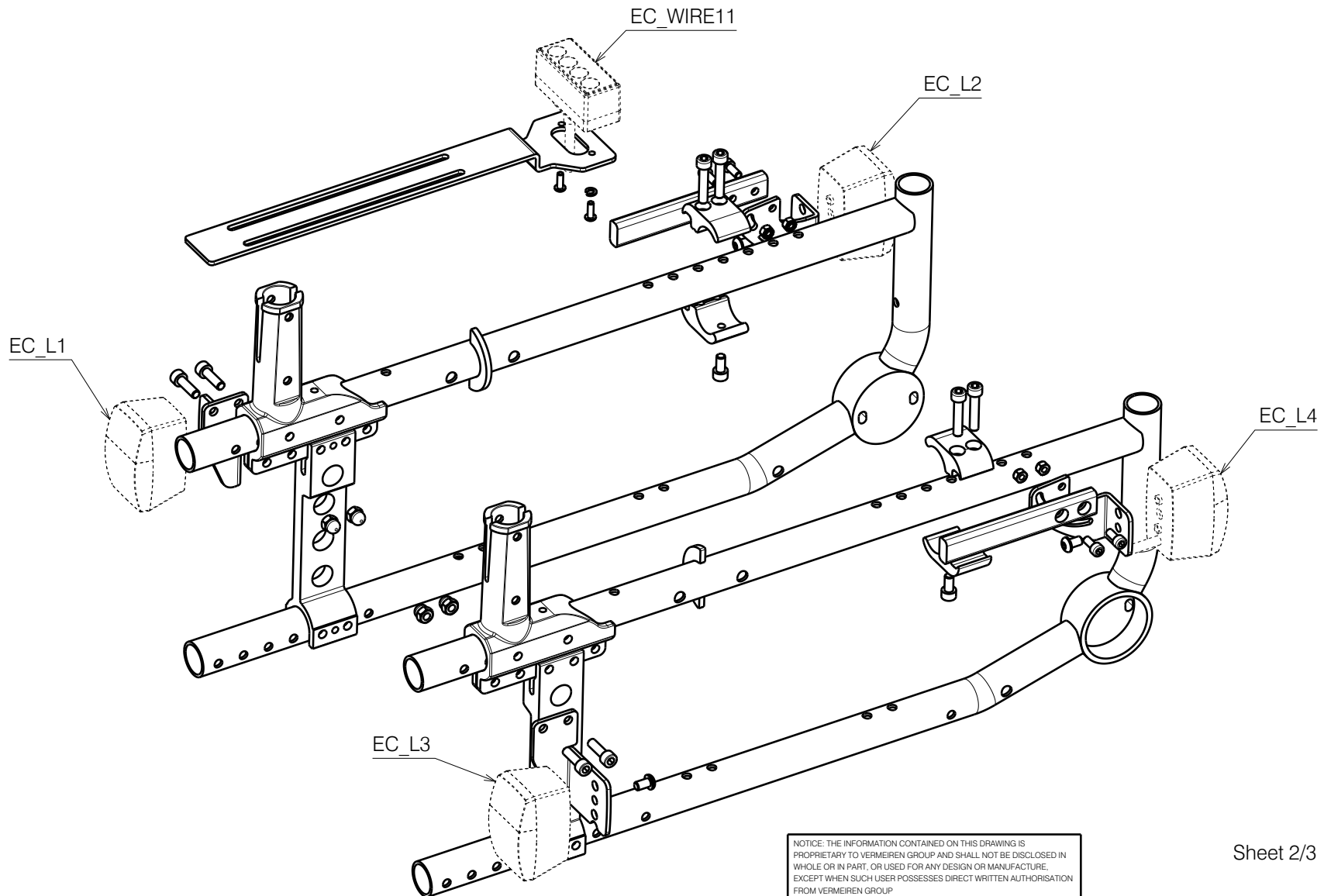
E00083496/D.1

VERSO BI5 SE19 LIGHTING

Scale:	1:4	Drafted	Verified	Confirmed
Date	27/08/2024	18/02/2026	18/02/2026	
Initials	SD	AZ	MK	




LIGHTS CONTROLLER ON LEFT SIDE



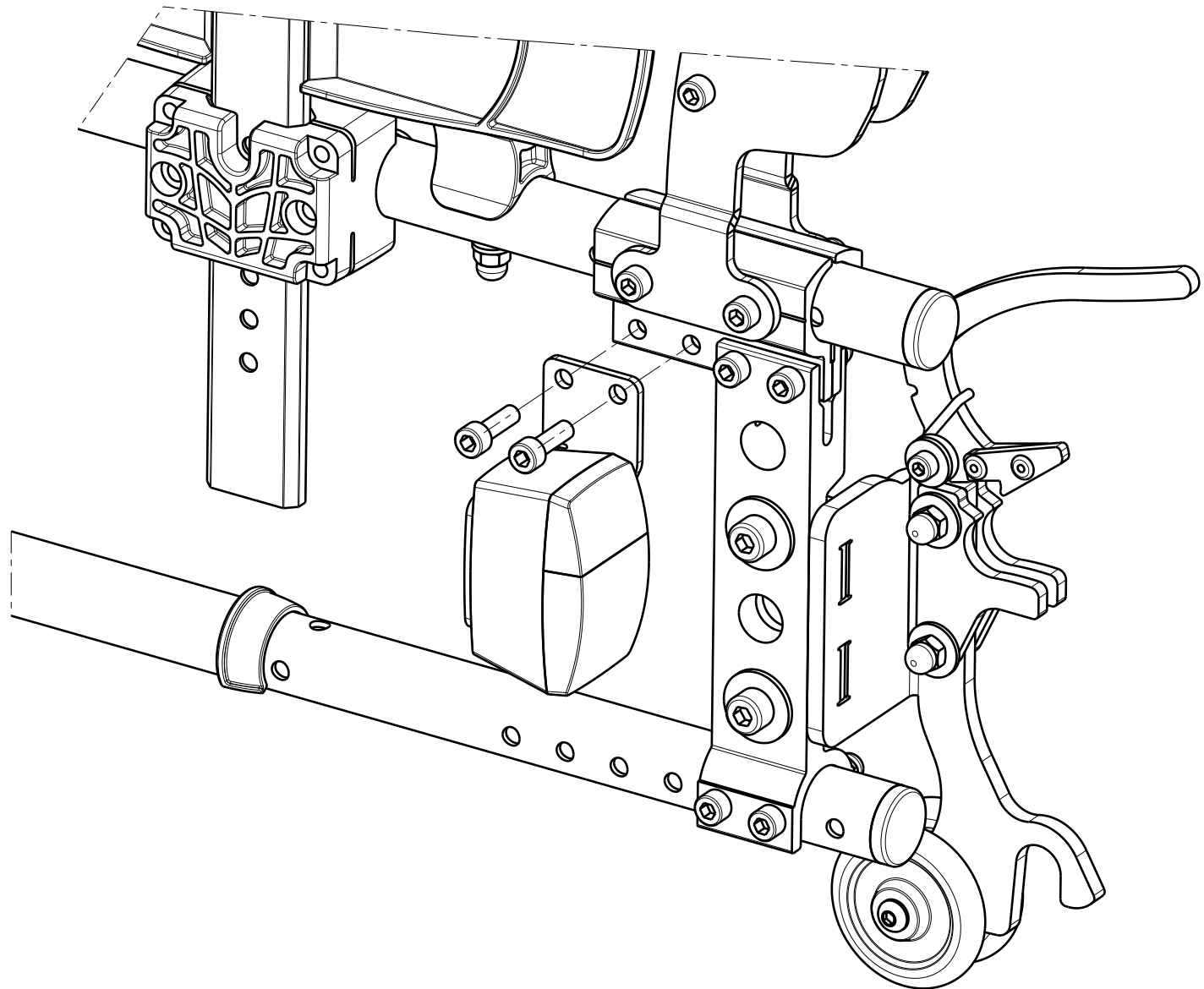
NOTICE: THE INFORMATION CONTAINED ON THIS DRAWING IS PROPRIETARY TO VERMEIREN GROUP AND SHALL NOT BE DISCLOSED IN WHOLE OR IN PART, OR USED FOR ANY DESIGN OR MANUFACTURE, EXCEPT WHEN SUCH USER POSSESSES DIRECT WRITTEN AUTHORISATION FROM VERMEIREN GROUP.

Sheet 2/3

VERSO BI5 SE19 LIGHTING			
Scale:	1:4	Drafted	Verified
Date	27/08/2024	18/02/2026	18/02/2026
Initials	SD	AZ	MK

Plan No. E00083496/D.1


VERSO 30° SE19 ASSEMBLY GUIDE LINES




Material			
No.	Plan	Article	Qty
3*	P00080987	2092754	1
4	P00082017	2092154	1
5	P00082351	2092254	1
6	P00082357	2092099	2
7	P00082358	2091954	1
8	P00082602	2091854	1
9	-	-	-
10	X002115	1552699	2
11	X002116	1552799	2
14	-	-	-
15	-	-	-
16	-	-	-
17	M6x30 DIN912	1915911	4
18	---	-	-
19	---	-	-
20	M4 DIN127B	1998515	2
21	-	-	-
22	M6x20 DIN912	2994004	4
23	M6x12 DIN912	2994005	2
24	M5 DIN985	2994006	4
25	M4x12 ISO7380	2994126	2
26	M6x10 ISO7380	2994127	4
27	M5x12 DIN912	2994072	4
28	-	-	-
29	M6 DIN986	2994059	4

Electrical components are presented in 2998566

* - Use plate as an option |

NOTICE: THE INFORMATION CONTAINED ON THIS DRAWING IS PROPRIETARY TO VERMEIREN GROUP AND SHALL NOT BE DISCLOSED IN WHOLE OR IN PART, OR USED FOR ANY DESIGN OR MANUFACTURE, EXCEPT WHEN SUCH USER POSSESSES DIRECT WRITTEN AUTHORISATION FROM VERMEIREN GROUP.

Sheet 3/3

VERSO BI5 SE19 LIGHTING				Plan No.
				E00083496/D.1
Scale: 1:4	Drafted	Verified	Confirmed	
Date	9/09/2024	18/02/2026	18/02/2026	
Initials	SD	AZ	MK	