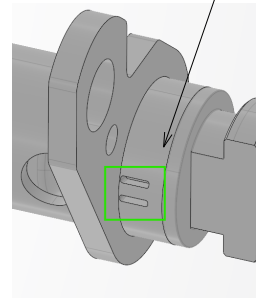


No.	Plan	Article	Qty
1	P00105592 (1)	2905626	1
	P00106415 (2)	2908326	1
	P00105594 (3)	2905726	1
	P00105596 (4)	2905826	1
	P00105598 (5)	2905926	1
	P00105600 (6)	2906026	1
	P00105602 (7)	2906126	1
	P00106417 (8)	2908426	1
2	P00105425	2998689	1
3	P00121240	GP00362	1
4	E00121829	---	1
5	P00121828	GP00363	1
6	1001570	1001570	1

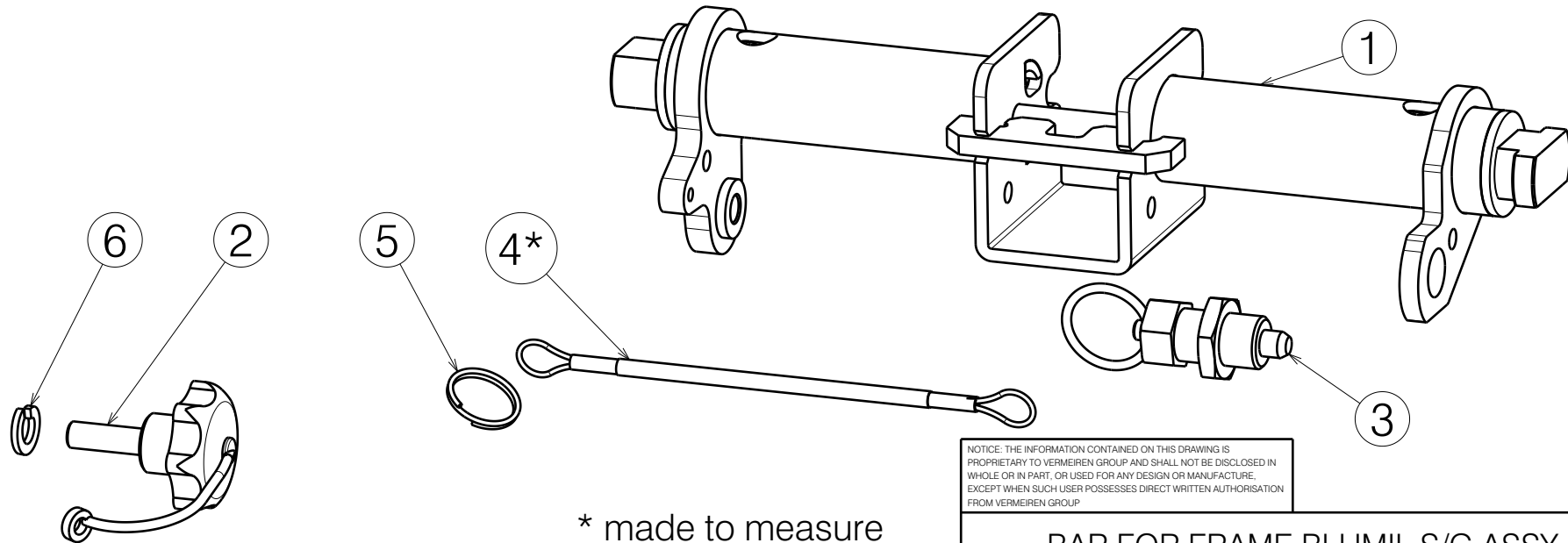
Size marking

(2)



FOOTREST

TRIGO S		TRIGOT B06				Article	V500									
SPORT/GO		SPORT		SPORT/GO		Name	BLUMIL SPORT					BLUMIL GO				
70/80/90		70	80		90	Plan	B06 90		B06 IN			B06		B06 90		
Folding	Opening	L		R	TRIGO T/S	Plan	B06 90		B06 IN		B06		B06 90			
ok	ok	ok			38	P00105592	ok									
						P00106415	1									
						P00105594										
						P00105596										
						P00105598										
						P00105600										
						P00105602										
						P00106417										
						V500										
						39	ok	ok	ok	ok	ok					
						40										
						42										
						44	ok	ok	ok	ok	ok					
						46	ok	ok	ok	ok	ok	1904646	1904647	ok		
						48	ok	ok	ok	ok	ok	1904210	1904475	ok		
						50	ok	ok	ok	ok	ok	1904210	1904475	ok		



* made to measure

NOTICE: THE INFORMATION CONTAINED ON THIS DRAWING IS PROPRIETARY TO VERMEIREN GROUP AND SHALL NOT BE DISCLOSED IN WHOLE OR IN PART, OR USED FOR ANY DESIGN OR MANUFACTURE, EXCEPT WHEN SUCH USER POSSESSES DIRECT WRITTEN AUTHORISATION FROM VERMEIREN GROUP.

BAR FOR FRAME BLUMIL S/G ASSY				---
Scale: 1:2				Plan No.
Date: 30.03.2026				E00121241/B.1
Date: 28.05.2026				
Date: 28.05.2026				
Initials: KK		PM		
Initials: MK		MK		