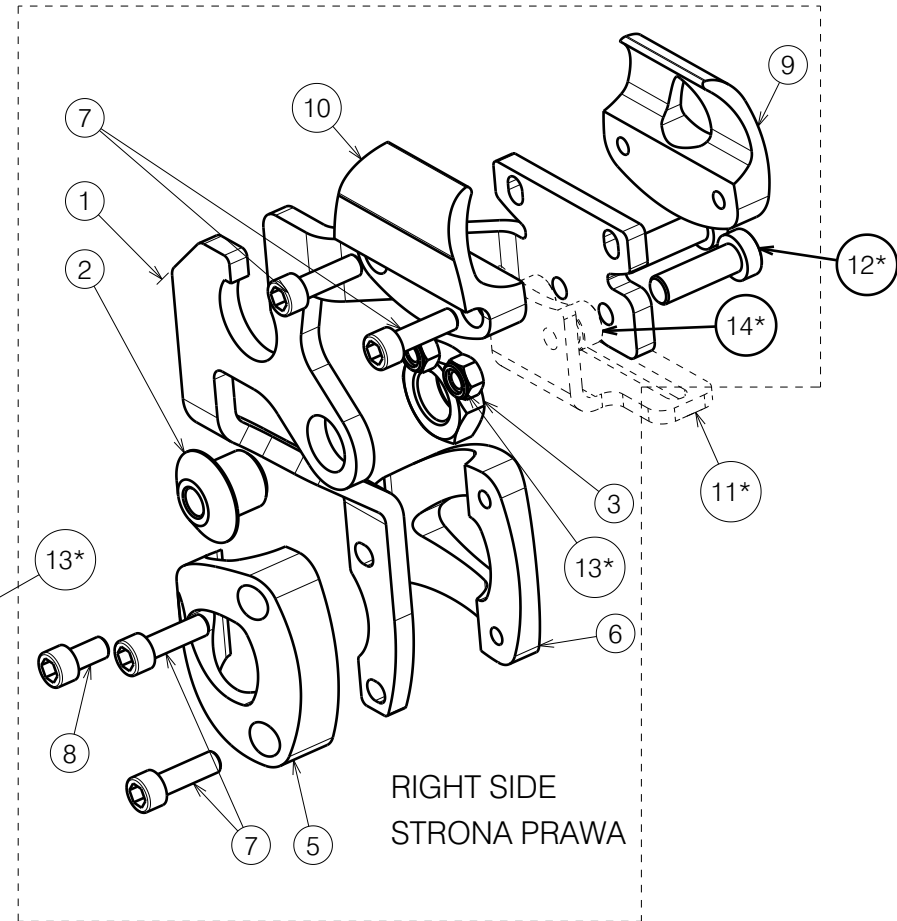
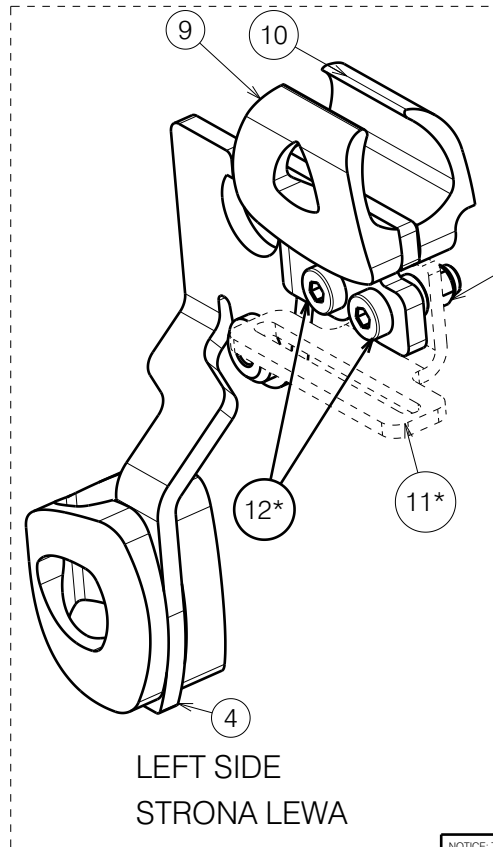


	Plan	Name	Article
Trigo T frame	4	Blumil for Trigo T left welded	2907754
Trigo S frame 70 deg	1	Blumil attachment Trigo T right	2906754
Trigo S frame 80 deg		Blumil for Trigo S 70 deg LEFT welded	2907854
Trigo S frame 90 deg		Blumil attachment Trigo S 70 deg RIGHT	2906954
		Blumil for Trigo S 80 deg LEFT welded	2907954
		Blumil attachment Trigo S 80 deg RIGHT	2907154
		Blumil for Trigo S 90 deg LEFT welded	2908054
		Blumil attachment Trigo S 90 deg RIGHT	2907354

No.	Plan	Article	Qty
1	See matrix	See matrix	1
2	GP00350	GP00350	1
3	GP00349	GP00349	1
4	See matrix	See matrix	1
5	XP01372	GP08299	2
6	XP01373	GP08399	2
7	Bolt Inner Hex M6x20 DIN912 ST 10,9	2994004	8
8	2994005BOLTM6X1 2DIN912	2994005	2
9	XP01375	GP08554	2
10	P00106877	GP31754	2
11*	P00102560	FP09724	2
12*	1003944M8x25	1003944	4
13*	3991110	3991110	4
14*	XP00339	GP00044	4



\* Use brake adapter plate for depth sizes 38-44cm (EP00244)

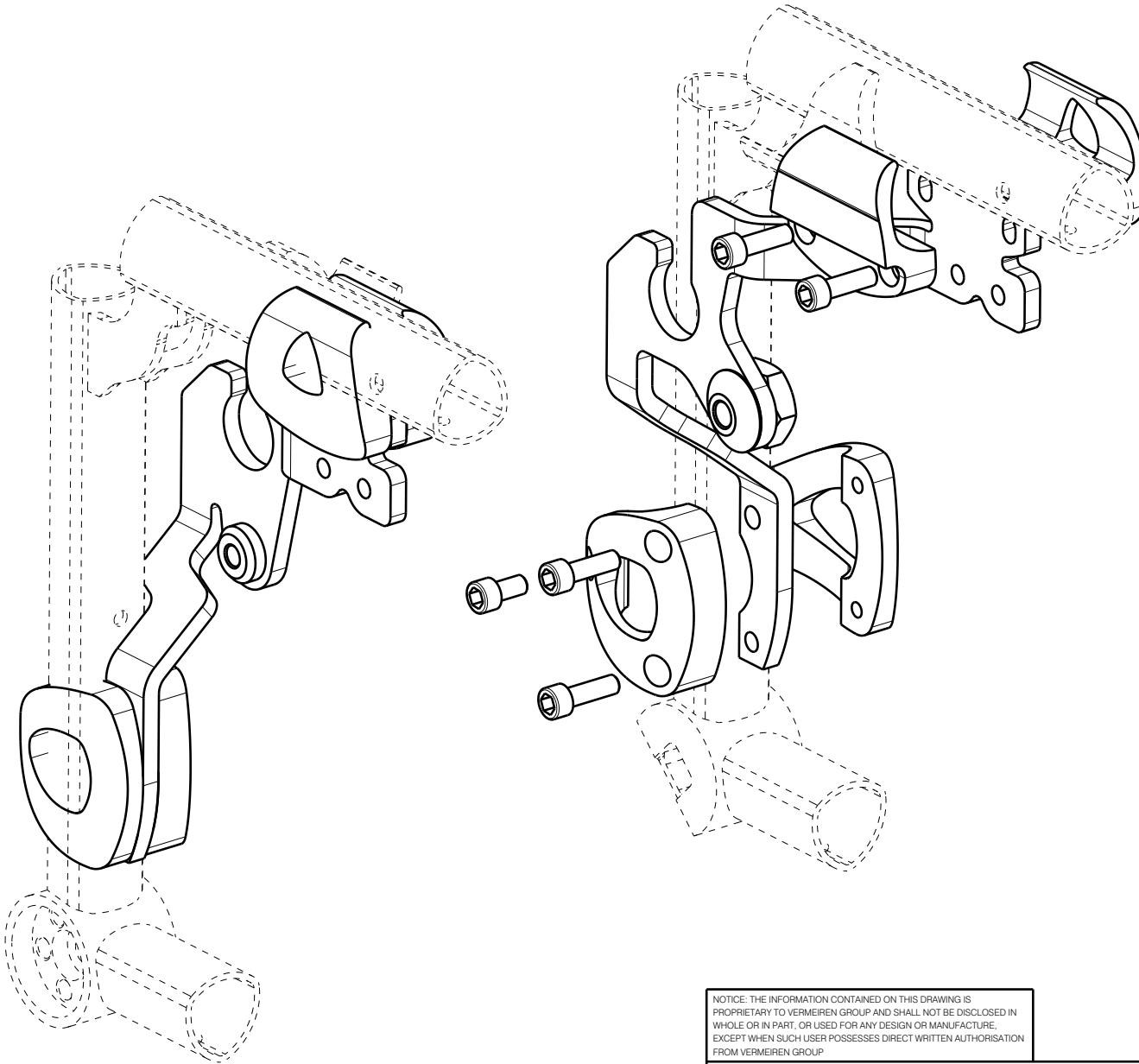
NOTICE: THE INFORMATION CONTAINED ON THIS DRAWING IS PROPRIETARY TO VERMEIREN GROUP AND SHALL NOT BE DISCLOSED IN WHOLE OR IN PART, OR USED FOR ANY DESIGN OR MANUFACTURE, EXCEPT WHEN SUCH USER POSSESSES DIRECT WRITTEN AUTHORISATION FROM VERMEIREN GROUP.

### ATTACHMENT TRIGO T/S BLUMIL SPORT/GO

Scale:	1:2	Drafted	Verified	Confirmed
Date	04.06.2025	27.05.2026	27.05.2026	
Initials	KK	PM	TK	

Plan No.  
E00106430/B.1





NOTICE: THE INFORMATION CONTAINED ON THIS DRAWING IS PROPRIETARY TO VERMEIREN GROUP AND SHALL NOT BE DISCLOSED IN WHOLE OR IN PART, OR USED FOR ANY DESIGN OR MANUFACTURE, EXCEPT WHEN SUCH USER POSSESSES DIRECT WRITTEN AUTHORISATION FROM VERMEIREN GROUP.

<b>ATTACHMENT TRIGO T/S BLUMIL SPORT/GO</b>			
Scale:	1:2	Drafted	Verified
Date	04.06.2025	04.06.2025	04.06.2025
Initials	KK	PM	TK

Plan No. E00106430/A.1