

# USER MANUAL

# B L U M I L -GO



CE



B L U M I L

# Table of Contents

<b>INTRODUCTION .....</b>	<b>3</b>
<b>SAFETY WARNINGS .....</b>	<b>3</b>
<b>PARTS .....</b>	<b>6</b>
<b>DISPLAY AND BUTTONS .....</b>	<b>7</b>
<b>INSTALLING/REMOVING THE BATTERY .....</b>	<b>8</b>
<b>CHARGING .....</b>	<b>9</b>
<b>CONNECTING BLUMIL GO TO A WHEELCHAIR.....</b>	<b>10</b>
<b>FOLDING .....</b>	<b>13</b>
<b>WHEELCHAIRS WITH HIGH FOOTPLATES .....</b>	<b>14</b>
<b>THE RIDE .....</b>	<b>15</b>
<b>MAINTENANCE OF THE BATTERY PACK .....</b>	<b>16</b>
<b>BLUMIL WARRANTY .....</b>	<b>17</b>

# INTRODUCTION

Congratulations! Welcome to the BLUMIL family!

BLUMIL GO is a unique solution, that allows you to transform your manual rigid frame wheelchair into an electric handcycle. You can do this just by pressing a button. BLUMIL GO makes it possible for millions of people around the world to enjoy a new sense of freedom.

Grab your helmet and let's go for a ride, you are about to experience TRUE FREEDOM with your BLUMIL GO!

## SAFETY WARNINGS

It is your responsibility to ensure that you read and meet all of the rider requirements listed below and are aware of all risks of riding as listed in this manual before attempting to ride with BLUMIL GO.

- Due to the possibility of reaching high speeds, it is recommended to wear a helmet.
- Do not ride over curbs higher than 5 cm.
- Do not ride over puddles or water. Avoid getting the wheelchair wet in any other way.
- The attachment should only be used to transport one person at a time. Any other use is not permitted.
- It is recommended that BLUMIL GO is only used by people who are able to physically and mentally meet the requirements of traffic on public roads.
- Please note that when driving on public roads, the handcycle is subject to all road traffic regulations.
- Beginners should be especially careful when driving.
- Familiarize yourself with the braking distance for different speeds.
- You should also familiarize yourself with the general traffic regulations.
- To be able to move steadily in a straight line, avoid sudden steering movements when driving at high speed or cornering.

- A three-wheeled vehicle is always less stable than a four-wheeled vehicle.
- When driving, braking and maneuvering, the handlebars must be held firmly with both hands. Otherwise, there is risk of an accident.
- The speed should be adapted to the technical capabilities of the handbike, the terrain characteristics and the operator's skills.
- Be careful when riding over curbs, bumps, etc., as the handbike may tip over.
- The driving style should be adapted to your skills.
- Be careful and drive slowly, especially when cornering.
- Before driving on hills, familiarize yourself with the product on a flat surface.
- Slow down reaching a curve and lean over to the inside of the bend.
- A set with the Blumil Go has a greater turning radius than the wheelchair itself, therefore it can sometimes be impossible to turn in tight places, such as corridors.
- On hills, the grip of the drive wheel is less than on flat roads, which means less braking power. The driving style and speed must always be adapted to the conditions so that the product can be stopped at any time without causing any hazard.
- In order to avoid falling over, obstacles such as curbs must always be crossed forward / perpendicular at low speed. The maximum height of obstacles is 50 mm, but it depends on the distance between the front wheels from the surface, and therefore on the settings of the attachment and connection with the Blumil GO.
- When moving on wet surfaces, the risk of slipping is increased due to the less grip of the tires. In this situation, the driving style should be adjusted accordingly.
- Riding the wheelchair with Blumil GO attached, risks serious injury or death from falls, loss of traction, loss of balance, collisions and other accidents.
- Do not ride with BLUMIL GO unless it has been properly adjusted to your individual needs.
- Do not attempt to ride when the battery indicator displays no bars (is empty).

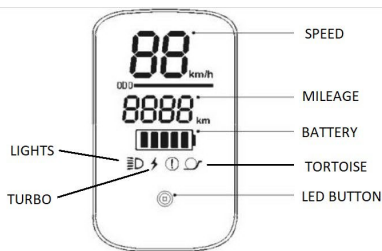
- Keep obstructions such as straps, clothing, jewelry, and bags away from the wheels and other moving parts.
- Be aware of the foot rest at all times as it may catch on steep inclines, or other obstructions and cause instability with BLUMIL.
- Do not go onto surfaces steeper than 10%.
- Do not attempt to use any stairs to move between different levels, as it may result in an accident.
- Avoid surfaces covered in ice, oil or other slippery substances.
- While using and servicing the Blumil, some body parts may get caught in/squeezed in the elements of Blumil. You need to be very careful. After regulating the Blumil, always make sure that the bolts are screwed securely.
- Please keep away from children under the age of 5 (choking hazard).
- Protect from fire and flammables.

# PARTS





## DISPLAY AND BUTTONS



**Speed indicator:** displays the current speed

**Mileage indicator:** displays the current total mileage

**Power Indicator:** Shows the current battery capacity with five stripes, each strip is approximately 20% of the battery.

**LED button:** Touch the LED button twice quickly to turn the lights on or off.

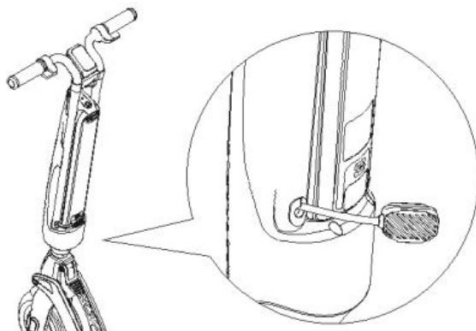
Press and hold the LED button to switch the scooter driving mode. (Works only when standing still):

- TURBO 25 km / h
- Tortoise 7 km / h
- No icon 16 km / h

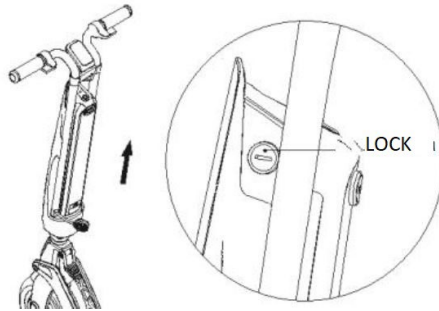
**WARNING:** *TURBO mode is enabled at your own risk.*

## INSTALLING/REMOVING THE BATTERY

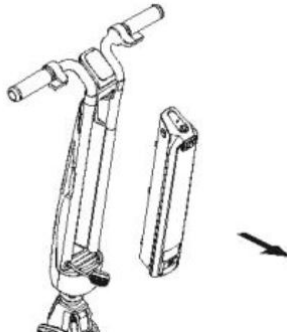
1. Turn the power off and remove the power cord.



2. Unlock the battery and slide upwards



3. Remove the battery



4. Insert the battery carefully, LOCK and insert the power cord.

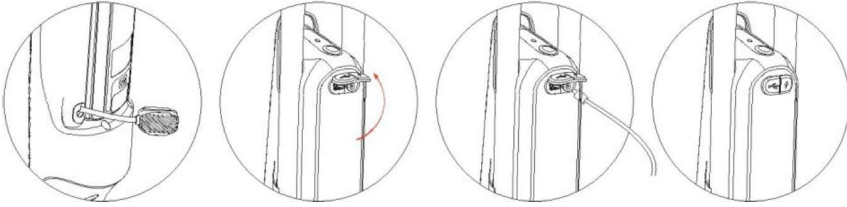


## CHARGING

1. Turn off the power and unplug the power cord
2. Open the rubber charging port plug

3. Connect the charging cable

4. When finished, attach the rubber plug



## CONNECTING BLUMIL GO TO A WHEELCHAIR

To start connecting BLUMIL GO to the wheelchair determine the length of the center bracket.

In order to connect BLUMIL GO, it is necessary to drive the wheelchair to the front of the bumper [1]. The center bracket hook [2] should be above the rear bar of the wheelchair. (in some wheelchair models the access to this bar is blocked by a different construction bar of the wheelchair – especially Panthera models. In this case the hook can be attached to that bar.) If, during approaching, the central bracket gets caught, it must be raised or lowered using the **Disconnect** and **Connect** buttons [3]. If the front of the footrest is in contact with the bumper, you can press the **Connect** button. The front of the wheelchair will start to raise. Keep the button pressed until the clamp rests on the footrest of the wheelchair. After connecting, make sure that the system is firmly connected by moving the steering handle from side to side so that there is no movement.

If the front wheels of the wheelchair do not rise to a height of at least 2 cm, a

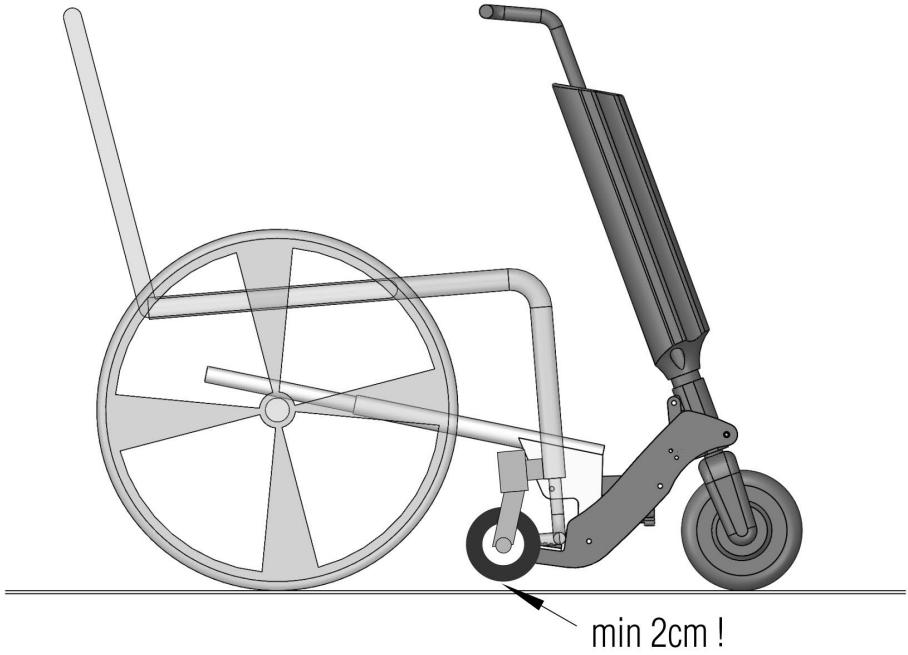
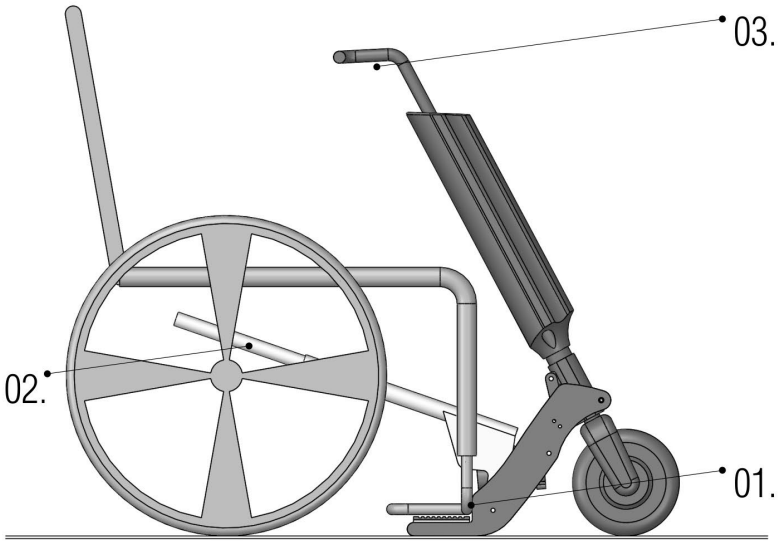
different position of the footrest in relation to the bumper should be set. To do this, you have to extend the hook of the central bracket by a few centimeters and drive the wheelchair again to connect it to Blumil GO - this time further away from the bumper and repeat the connection procedure.

**WARNING:** *Pressing the Connect button for too long after connecting the system may damage the wheelchair frame or the BLUMIL GO.*

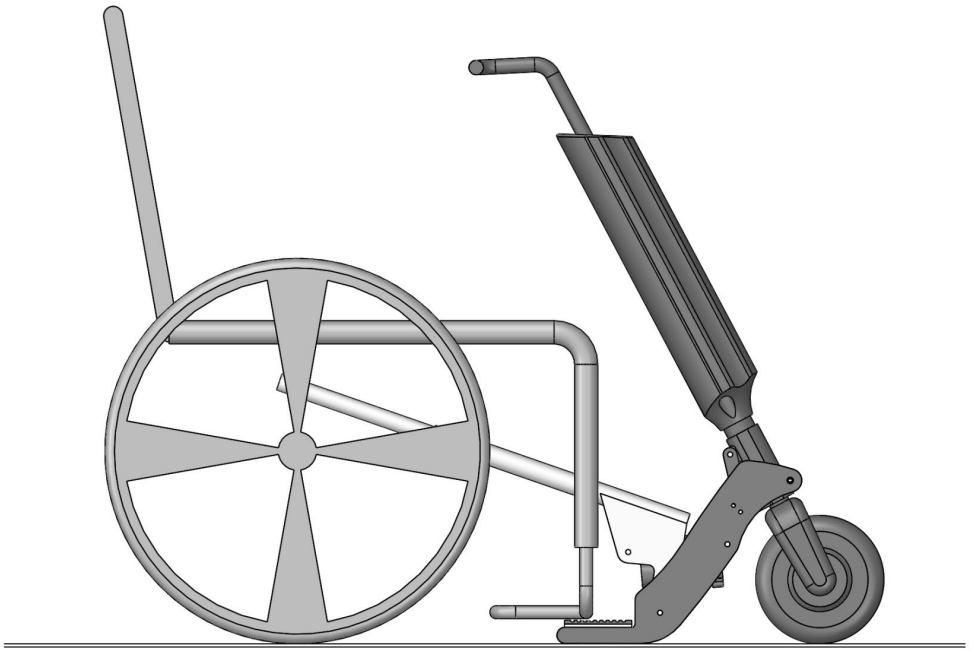
To disconnect the system, press the Disconnect button and keep it pressed until the front wheels of the wheelchair are lowered and the central bracket rises above the rear bar of the wheelchair. You can then freely move out with the wheelchair.

If while pressing the button, the hook stops working, please turn the device off and then back on again.

### **Footrest next to the bumper**



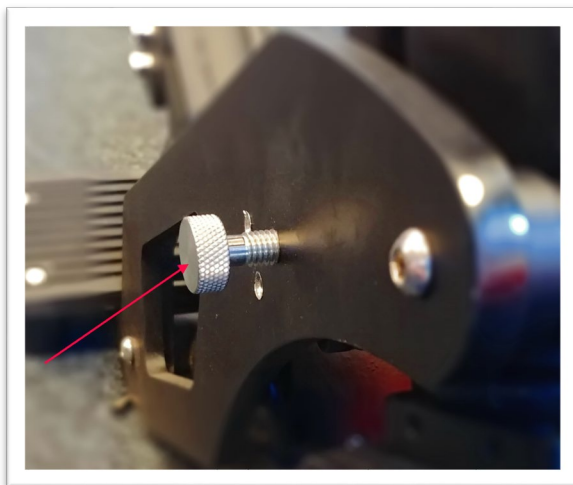
**Footrest away from the bumper**



## **FOLDING**

The Blumil GO has a convenient folding mechanism. You can easily fold it for storing or transportation.

1. Lower the center bracket with the connect/disconnect button.
2. Pull this additional safety pin out.



3. Press firmly the folding button to fold the Blumil GO.

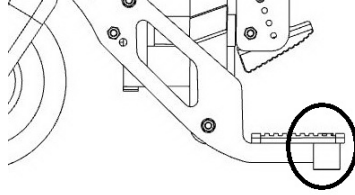


## **WHEELCHAIRS WITH HIGH FOOTPLATES**

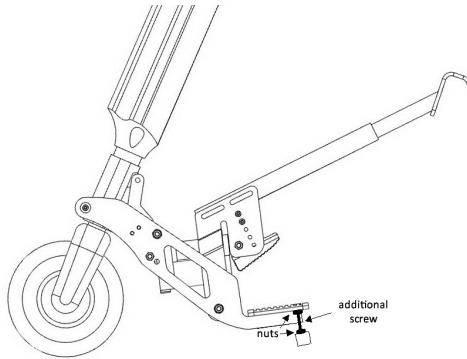
As every wheelchair is a bit different and set up to the specific needs of the user, some additional adjustments might be necessary. If you are unable to

approach with your wheelchair to the bumper, because of the clamp blocking the footplate it might be necessary to use the provided longer screws (M6x70). This can be done in a couple of steps:

1. Remove the rubber stands, by unscrewing the 4 M6x70 screws.



2. Please insert through the holes longer screws that are provided.
3. Screw in the additional nuts (1 on each side) firmly, so that the screws aren't moving.
4. Screw in the remaining 4 nuts (1 on each side) about half way – they will be needed for the next step.
5. Screw in the 4 rubbers stands as firmly as possible and block them with the nuts that you installed in the previous step.



## THE RIDE

Here are some basic rules to read before using the BLUMIL GO. It should be used

cautiously. Pay special attention to warnings and instructions in this manual.

During the first ride on BLUMIL GO, start with a flat surface with good grip, free from obstacles.

**WARNING:** *Before driving, make sure that the adjustments according to the instructions have been made.*

**WARNING:** *Do not drive in difficult terrain until you have experience in driving.*

To accelerate, press the throttle.

To slow down or stop, press one of the brakes. To stop completely, it is necessary to press the lever brake.

When riding up too steep hills the Blumil GO might turn itself off to prevent overheating and damaging the motor.

## **MAINTENANCE OF THE BATTERY PACK**

The battery is the most important part of the drive. To maximize battery life, follow the steps below:

1. Carefully read the precautions on the battery label and follow the instructions
2. Please try to keep the battery at 0 °C - ~ 40 °C in a room temperature, which will improve the battery performance. Avoid temperatures below -20 degrees or above 50 degrees.
3. Please keep the battery in a cool, dry environment. In a closed, wet environment, the battery pack can be condensed and water can damage the battery.

4. During everyday use try to avoid the battery being completely discharged. Please charge as soon as possible when the LCD shows only 10% ~ 20%. Leaving the battery discharged may permanently damage the battery.

## **BLUMIL WARRANTY**

### **BLUMIL Limited Warranty**

BLUMIL is covered by a 1 year manufacturer's warranty against any defects in materials and workmanship, beginning on the date of purchase, and only for the original purchaser under non-commercial use. Any replacement part or product that has been installed in accordance with the seller's instructions assumes the remaining original warranty or a maximum of 90 days from the date of repair or replacement, whichever is longer.

### **Procedure for Warranty Service**

Prior to returning any part or product for warranty service, you must first contact the certified reseller from whom you purchased your BLUMIL product. If no such reseller exists, you must contact BLUMIL via email at [info@blumil.com](mailto:info@blumil.com). If the part or product in question is found to be defective and warrantable you will be responsible for shipping the part or product back to BLUMIL or the certified reseller from whom you purchased your BLUMIL product. BLUMIL or the certified reseller shall be responsible for return shipping to you. If product is not warrantable, you may purchase a replacement part and must pay for shipping.

### **Warranty Exclusions**

The BLUMIL warranty does not cover and shall be void for defects or damages resulting from casualty, accident, collision, inclement weather, water damage, misuse or abuse, neglect, alterations, improper installation, operation, or maintenance.



B L U M I L